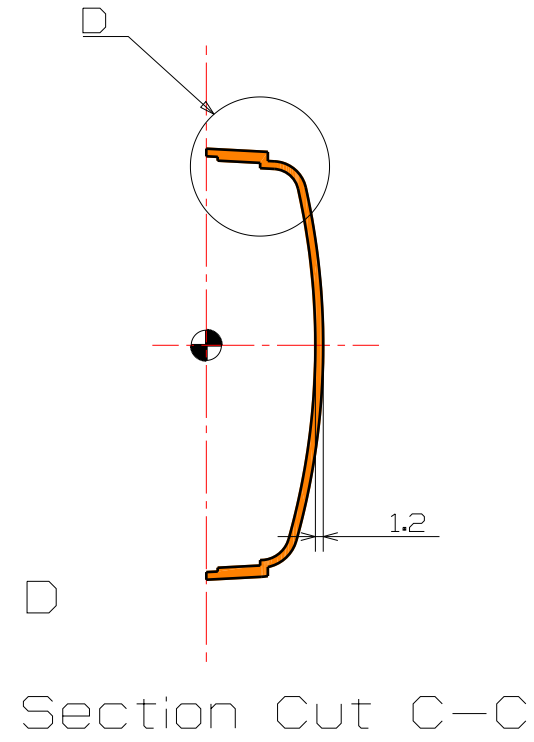
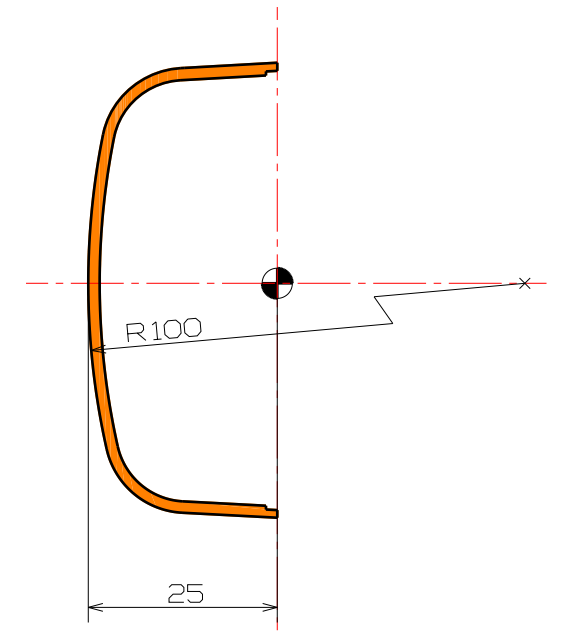
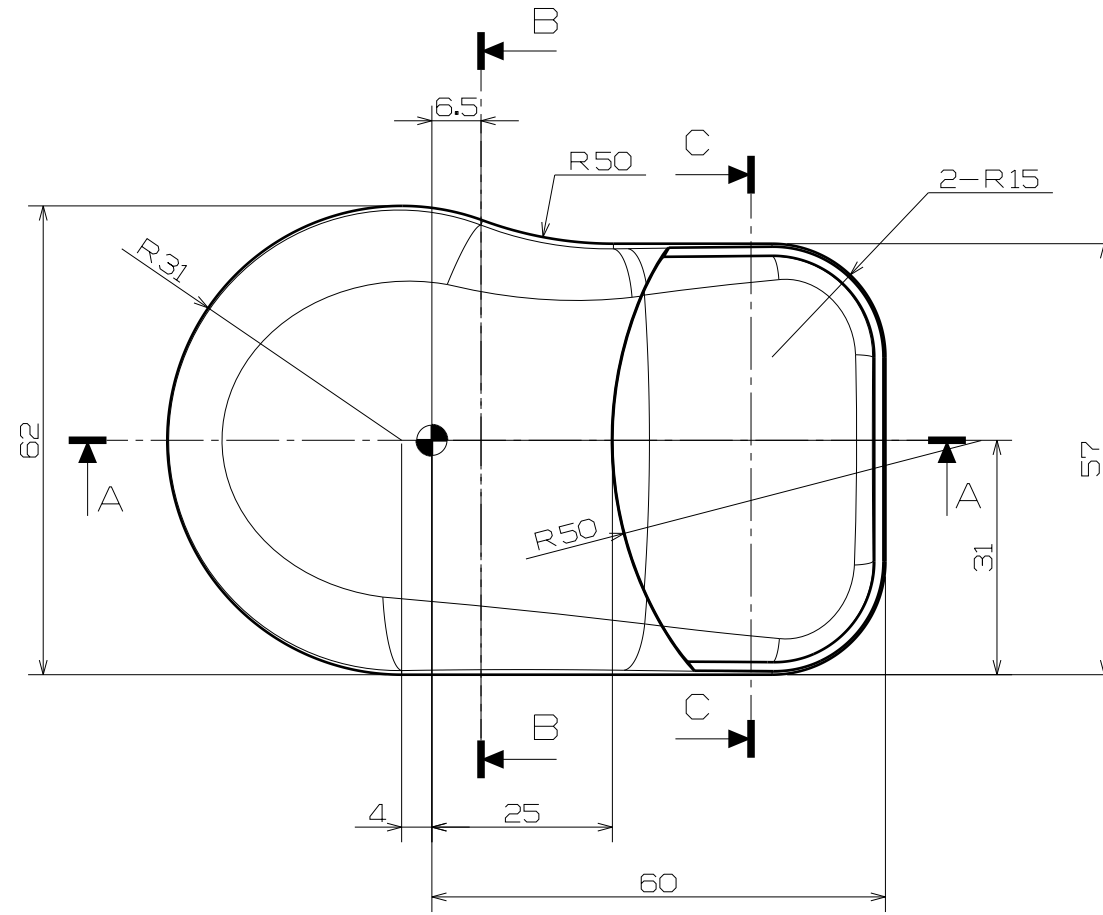


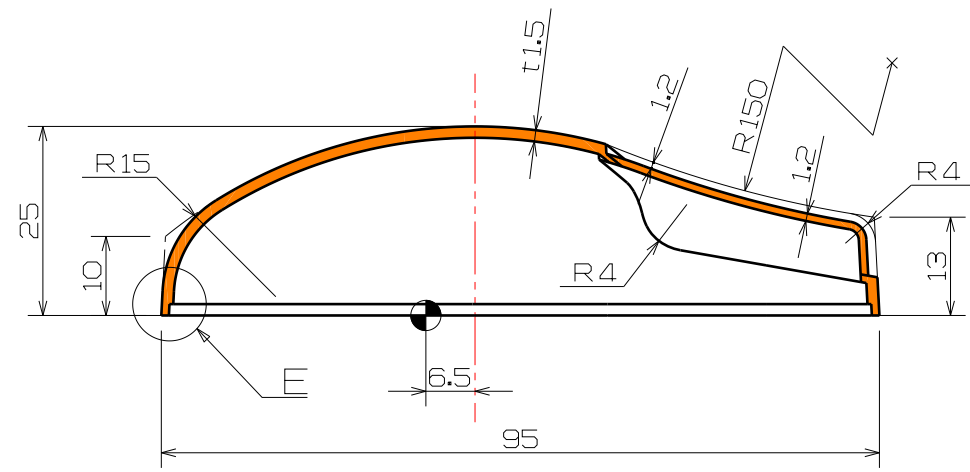
Detail View D
Scale 2:1



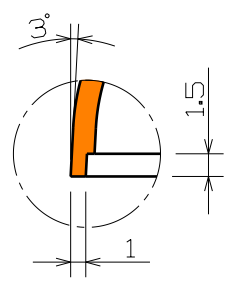
Section Cut C-C



Section Cut B-B



Section Cut A-A



Detail View E
Scale 2:1

